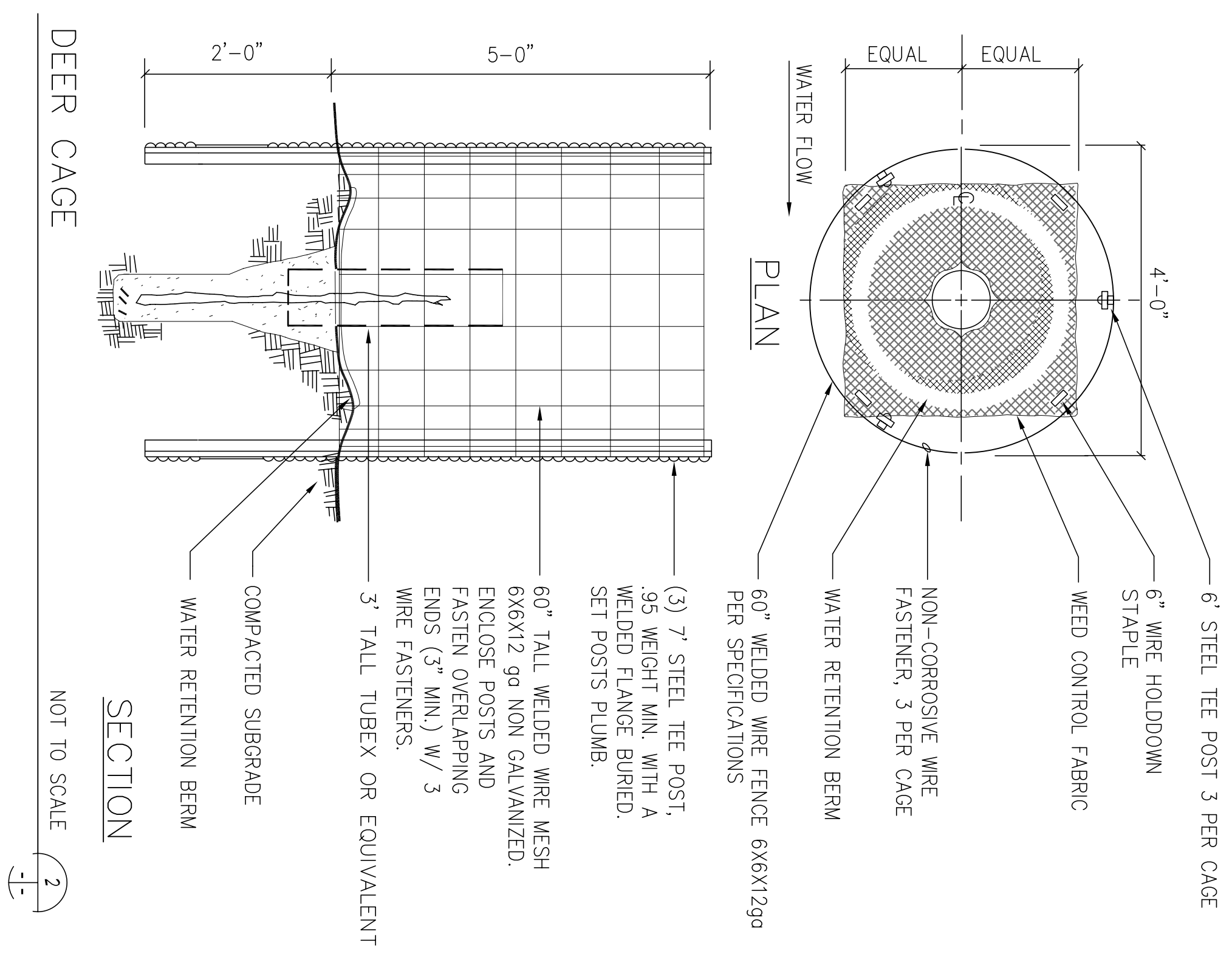


CONTRACTOR FURNISHED REVEGETATION PLANT MATERIAL



- NOTES:**
1. SET PLANT'S ROOT CROWN 1/2" ABOVE EXISTING GRADE OF WATER RETENTION BASIN.
 2. PLANTING STOCK: TREEPOT D4 OR APPROVED EQUAL.
 3. PLANTING PIT A MINIMUM OF TWO TIMES THE DIAMETER AND TWO TIMES DEPTH OF THE ROOTBALL. SCAREY EDGES.
 4. WEED CONTROL FABRIC 2' DIA FOR EACH PLANT. SUBMIT SAMPLE.

CONTAINER STOCK PLANTING



| RIPARIAN ZONE | | | | | | |
|-------------------------|----------------------|----------------|---------|---------|----------|-------------|
| Tree Species | Common Name | Container Size | Spacing | Percent | Quantity | |
| QUERCUS LOBATA | Valley Oak | Treepot | 10 FT | O.C. | 0.10 | 5 |
| QUERCUS AGRIFOLIA | Coast Live Oak | Treepot | 10 FT | O.C. | 0.10 | 5 |
| POPULUS FREMONTII | Fremont Cottonwood | Treepot | 10 FT | O.C. | 0.10 | 5 |
| ACER NEGUNDO | Boxelder | Treepot | 10 FT | O.C. | 0.10 | 5 |
| Shrub Species | | | | | | 19 |
| Scientific Name | Common Name | Container Size | Spacing | Percent | Quantity | |
| SALIX LASIOLEPIS | Arroyo Willow | Deepot | 6 FT | O.C. | 0.10 | 11 |
| ROSA CALIFORNICA | California Wild Rose | Deepot | 6 FT | O.C. | 0.10 | 11 |
| RUBUS SPECTABILIS | Salmonberry | Deepot | 6 FT | O.C. | 0.10 | 11 |
| HETEROMELES ARBUTIFOLIA | Toyon | Deepot | 6 FT | O.C. | 0.10 | 11 |
| RHAMNUS CALIFORNICA | Coffeeberry | Deepot | 6 FT | O.C. | 0.10 | 11 |
| SYMPHORICARPOS ALBUS | Snowberry | Deepot | 6 FT | O.C. | 0.10 | 11 |
| Riparian Total | | | | | | 85 |
| | | | | | | 100% |

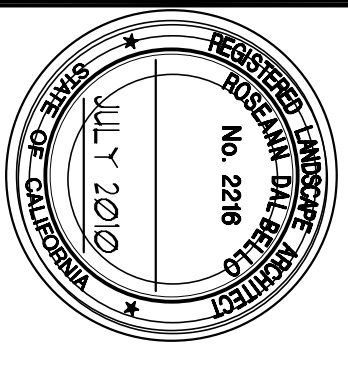
| UPLAND ZONE | | | | | | |
|--------------------------|----------------------|----------------|---------|---------|----------|-------------|
| Tree Species | Common Name | Container Size | Spacing | Percent | Quantity | |
| QUERCUS LOBATA | Valley Oak | Treepot | 10 FT | O.C. | 0.10 | 9 |
| QUERCUS AGRIFOLIA | Coast Live Oak | Treepot | 10 FT | O.C. | 0.25 | 23 |
| QUERCUS WISLIZENI | Chapparral Oak | Treepot | 10 FT | O.C. | 0.10 | 9 |
| QUERCUS DOUGLASSII | Blue Oak | Treepot | 10 FT | O.C. | 0.05 | 5 |
| UMBELLULARIA CALIFORNICA | Bay Tree | Treepot | 10 FT | O.C. | 0.05 | 5 |
| Shrub Species | | | | | | 51 |
| Scientific Name | Common Name | Container Size | Spacing | Percent | Quantity | |
| BACCHARUS PULULARIS | Coyote Brush | Deepot | 10 FT | O.C. | 0.05 | 5 |
| ROSA CALIFORNICA | California Wild Rose | Deepot | 10 FT | O.C. | 0.10 | 9 |
| SHAMBUS MEXICANA | Blue Elderberry | Deepot | 10 FT | O.C. | 0.10 | 9 |
| RHAMNUS CALIFORNICA | Coffeeberry | Deepot | 10 FT | O.C. | 0.10 | 9 |
| PRUNUS LICIFOLIA | Hollyleaf Cherry | Deepot | 10 FT | O.C. | 0.10 | 9 |
| Upland Total | | | | | | 92 |
| | | | | | | 100% |

REVEGETATION PLANTING NOTES:

1. PROVIDE EROSION CONTROL FOR AREA THAT HAVE BEEN DISTURBED DUE TO SITE DEVELOPMENT AND CONSTRUCTION. CONTRACTOR TO FOLLOW REQUIREMENTS OF BMP.
2. PROTECT IN PLACE EXISTING SHRUBS AND TREES UNLESS OTHERWISE NOTED ON PLANS.
3. RIPARIAN PLANTS AND UPLAND PLANTS TO BE PLANTED IN THE HATCHED AREAS AS SHOWN ON SHEET L-1.
4. THE LIMITS OF THE REVEGETATION AREAS SHOWN ARE APPROXIMATE. THE LOCATION OF THE LIMITS OF THE REVEGETATION AREA AND THE PLANTING AREAS AS SHOWN ON THESE PLANS SHALL BE LAID OUT AND MARKED BY THE CONTRACTOR. THE LANDSCAPE ARCHITECT WILL THEN DIRECT THE CONTRACTOR TO MAKE ADJUSTMENTS AS DEEMED NECESSARY PRIOR TO APPROVAL OF THE LAYOUT.
5. CONTRACTOR TO PROVIDE DRIP IRRIGATION TO EACH PLANT. SEE IRRIGATION PLANS FOR VALVE LOCATIONS.
6. REVEGETATION AREA TO BE WEED FREE BEFORE PLANTING BEGINS. SEE REVEGETATION SPECIFICATIONS FOR WEED REMOVAL REQUIREMENTS.
7. REMOVE OR CUT ALL FRENCH BROOM WITHIN THE LIMITS OF CONSTRUCTION.

PERMIT SET

VETERINARY HOSPITAL SITE
KNOWLAND PARK-OAKLAND ZOO
REVEGETATION PLANT LIST AND DETAILS



ROSEANN
DAL BELLO
LANDSCAPE
ARCHITECT
PO BOX 9793
WOODBURN
CALIFORNIA
415-459-0724

| No. | BY | DATE | REVISIONS |
|-----|----|------|-----------|
| | | | |

| | |
|----------|----------|
| JOB NO | 1 |
| SCALE | 1" = 4' |
| DATE | 12/28/09 |
| DESIGN | RD |
| DRAWN | RD |
| APPROVED | RCW |